

Cascadable Silicon Bipolar MMIC Amplifier

Technical Data

MSA-0300

Features

- **Cascadable 50 Ω Gain Block**
- **3 dB Bandwidth:**
DC to 2.8 GHz
- **12.0 dB Typical Gain at
1.0 GHz**
- **10.0 dBm Typical P_{1 dB} at
1.0 GHz**

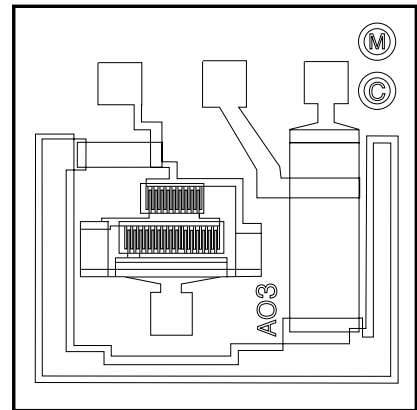
Description

The MSA-0300 is a high performance silicon bipolar Monolithic Microwave Integrated Circuit (MMIC) chip. This MMIC is designed for use as a general purpose 50 Ω gain block. Typical applications include narrow and broad band IF and RF amplifiers in commercial, industrial and military applications.

The MSA-series is fabricated using HP's 10 GHz f_T , 25 GHz f_{MAX} , silicon bipolar MMIC process which uses nitride self-alignment, ion implantation, and gold metallization to achieve excellent performance, uniformity and reliability. The use of an external bias resistor for temperature and current stability also allows bias flexibility.

The recommended assembly procedure is gold-eutectic die attach at 400°C and either wedge or ball bonding using 0.7 mil gold wire.^[1] See APPLICATIONS section, "Chip Use".

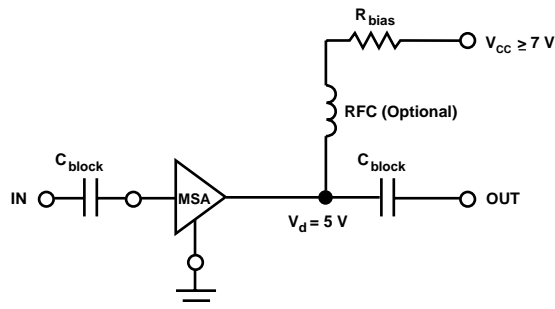
Chip Outline^[1]



Note:

1. This chip contains additional biasing options. The performance specified applies only to the bias option whose bond pads are indicated on the chip outline. Refer to the APPLICATIONS section "Silicon MMIC Chip Use" for additional information.

Typical Biasing Configuration



MSA-0300 Absolute Maximum Ratings

Parameter	Absolute Maximum ^[1]
Device Current	80 mA
Power Dissipation ^[2,3]	425 mW
RF Input Power	+13 dBm
Junction Temperature	200°C
Storage Temperature	-65 to 200°C

Thermal Resistance^[2,4]:

$$\theta_{jc} = 45^{\circ}\text{C/W}$$

Notes:

1. Permanent damage may occur if any of these limits are exceeded.
2. $T_{\text{Mounting Surface}} (T_{\text{MS}}) = 25^{\circ}\text{C}$.
3. Derate at $22.2 \text{ mW}/^{\circ}\text{C}$ for $T_{\text{C}} > 181^{\circ}\text{C}$.
4. The small spot size of this technique results in a higher, though more accurate determination of θ_{jc} than do alternate methods. See MEASUREMENTS section "Thermal Resistance" for more information.

Electrical Specifications^[1], $T_{\text{A}} = 25^{\circ}\text{C}$

Symbol	Parameters and Test Conditions ^[2] : $I_{\text{d}} = 35 \text{ mA}$, $Z_{\text{o}} = 50 \Omega$	Units	Min.	Typ.	Max.
GP	Power Gain ($ S_{21} ^2$)	f = 0.1 GHz		12.5	
ΔGP	Gain Flatness	f = 0.1 to 1.8 GHz		± 0.6	
f_3 dB	3 dB Bandwidth			2.8	
VSWR	Input VSWR	f = 0.1 to 3.0 GHz		1.8:1	
	Output VSWR	f = 0.1 to 3.0 GHz		1.8:1	
NF	50 Ω Noise Figure	f = 1.0 GHz		6.0	
P_1 dB	Output Power at 1 dB Gain Compression	f = 1.0 GHz		10.0	
IP_3	Third Order Intercept Point	f = 1.0 GHz		23.0	
t_{D}	Group Delay	f = 1.0 GHz		125	
V_{d}	Device Voltage		4.5	5.0	5.5
dV/dT	Device Voltage Temperature Coefficient			-8.0	

Notes:

1. The recommended operating current range for this device is 20 to 50 mA. Typical performance as a function of current is on the following page.
2. RF performance of the chip is determined by packaging and testing 10 devices per wafer in a dual ground configuration.

Part Number Ordering Information

Part Number	Devices Per Tray
MSA-0300-GP4	100

MSA-0300 Typical Scattering Parameters^[1] ($Z_0 = 50 \Omega$, $T_A = 25^\circ\text{C}$, $I_d = 35 \text{ mA}$)

Freq. GHz	S ₁₁		S ₂₁			S ₁₂			S ₂₂		k
	Mag	Ang	dB	Mag	Ang	dB	Mag	Ang	Mag	Ang	
0.1	.13	-179	12.6	4.28	177	-18.6	.118	2	.09	-13	1.21
0.2	.13	-179	12.6	4.27	172	-18.3	.121	3	.10	-27	1.19
0.4	.12	-179	12.5	4.24	165	-18.3	.121	5	.12	-48	1.19
0.6	.11	-177	12.5	4.22	158	-18.2	.123	8	.14	-65	1.18
0.8	.11	-172	12.4	4.19	152	-17.8	.129	11	.17	-76	1.15
1.0	.10	-166	12.4	4.15	144	-17.7	.130	1	.20	-85	1.14
1.5	.11	-145	12.0	4.00	126	-17.1	.139	1	.24	-104	1.09
2.0	.16	-140	11.5	3.76	109	-16.2	.154	2	.27	-122	1.03
2.5	.23	-141	10.8	3.47	97	-15.6	.166	2	.28	-133	0.99
3.0	.29	-149	9.8	3.10	82	-15.2	.173	24	.28	-145	0.99
3.5	.35	-157	8.7	2.72	67	-14.5	.188	21	.27	-148	0.97
4.0	.38	-164	7.6	2.40	55	-14.3	.193	22	.25	-146	1.00
5.0	.41	179	5.5	1.88	35	-13.7	.206	17	.21	-134	1.14
6.0	.43	153	3.6	1.51	18	-13.3	.217	14	.21	-137	1.27

Note:

- S-parameters are de-embedded from 70 mil package measured data using the package model found in the DEVICE MODELS section.

Typical Performance, $T_A = 25^\circ\text{C}$

(unless otherwise noted)

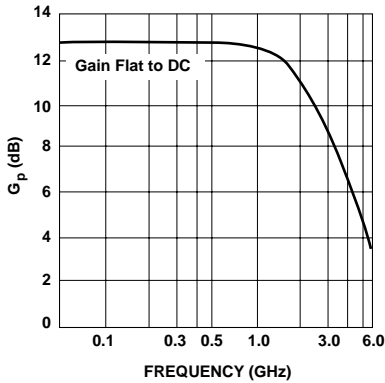


Figure 1. Typical Power Gain vs. Frequency, $T_A = 25^\circ\text{C}$, $I_d = 35 \text{ mA}$.

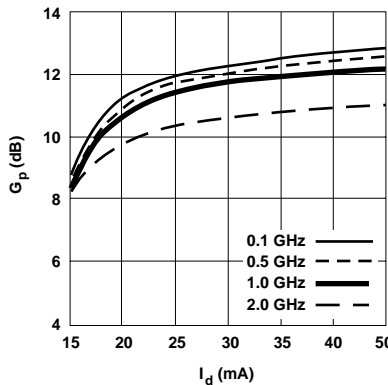


Figure 2. Power Gain vs. Current.

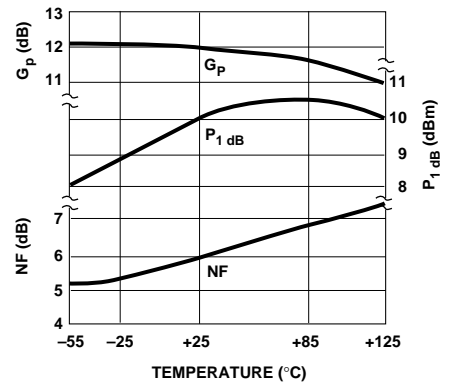


Figure 3. Output Power at 1 dB Gain Compression, NF and Power Gain vs. Mounting Surface Temperature, $f = 1.0 \text{ GHz}$, $I_d = 35 \text{ mA}$.

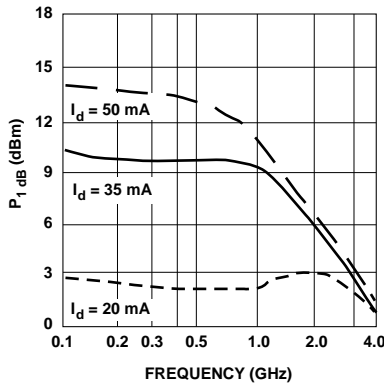


Figure 4. Output Power at 1 dB Gain Compression vs. Frequency.

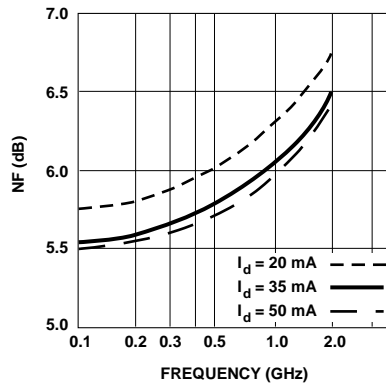
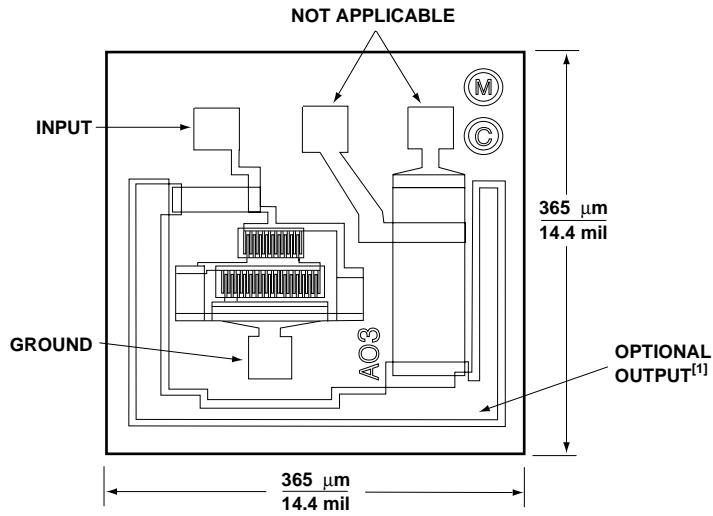


Figure 5. Noise Figure vs. Frequency.

MSA-0300 Chip Dimensions



Unless otherwise specified, tolerances are $\pm 13 \mu\text{m}/\pm 0.5 \text{ mils}$. Chip thickness is $5.5 \pm 0.5 \text{ mils}$. Bond Pads are $41 \mu\text{m}/1.6 \text{ mil}$ typical on each side. Note 1: Output contact is made by die attaching the backside of the die.